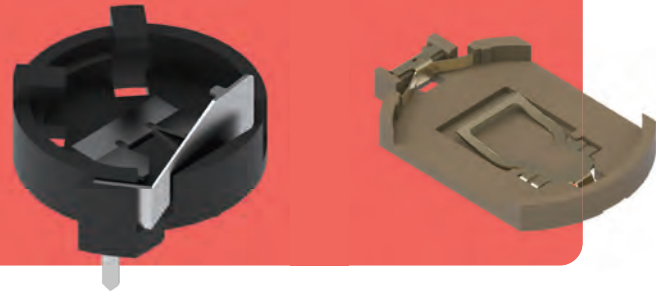


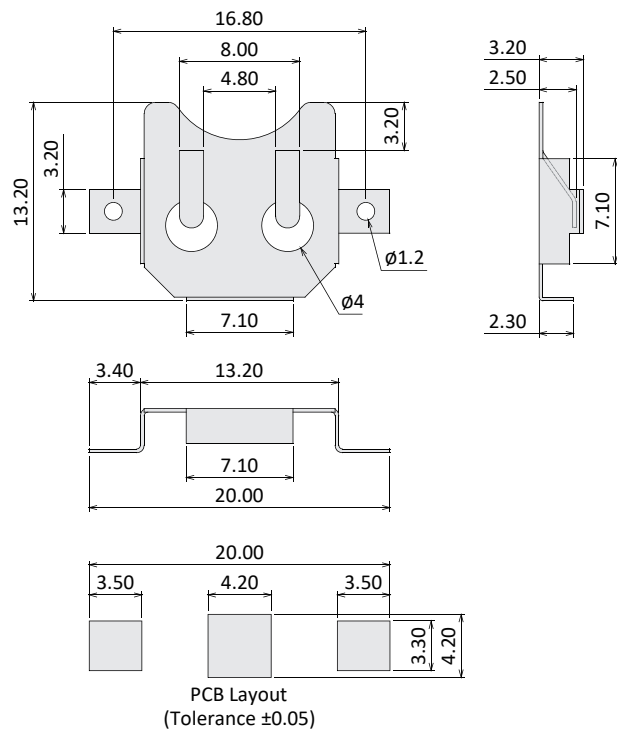
Battery Holder

Dielectric Voltage: 500V AC for one minute
 Insulation Resistance: 1000MΩ Min.
 Contact Resistance: 30mΩ Max.
 Material Contact: Copper Alloy, Gold or Nickel
 Material Insulator: PPS/ABS/PPA, UL94V-0
 Operating Temperature: -25°C~+85°C

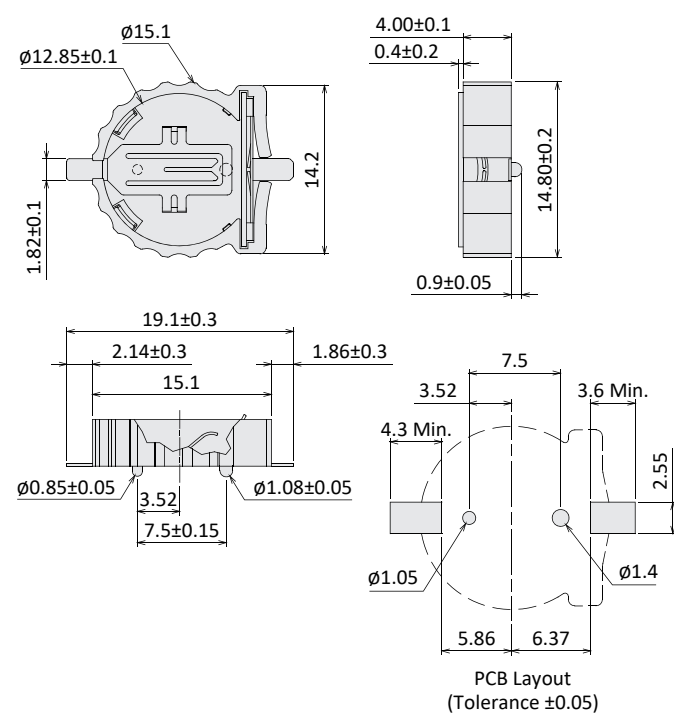


Battery Holder CR1220 / CR1225 / CR 2016

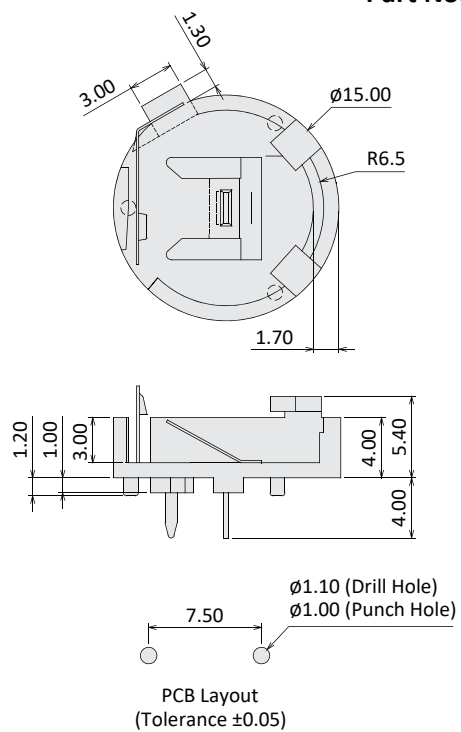
Part No.: BC-1220



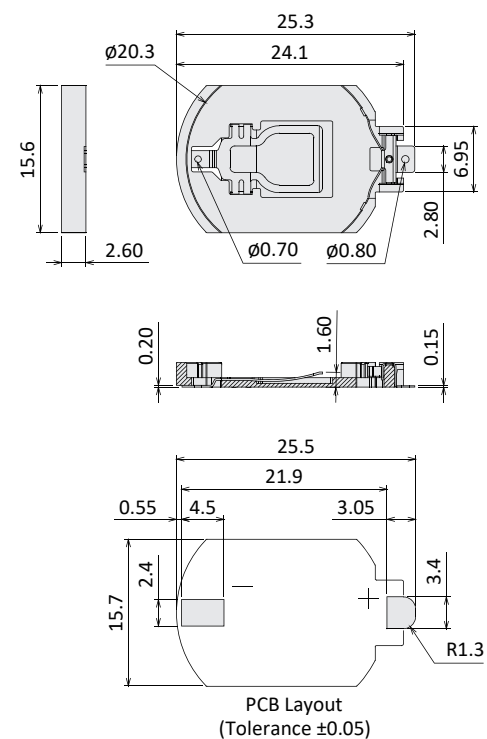
Part No.: BM-1220



Part No.: BD-1225



Part No.: BM-2016



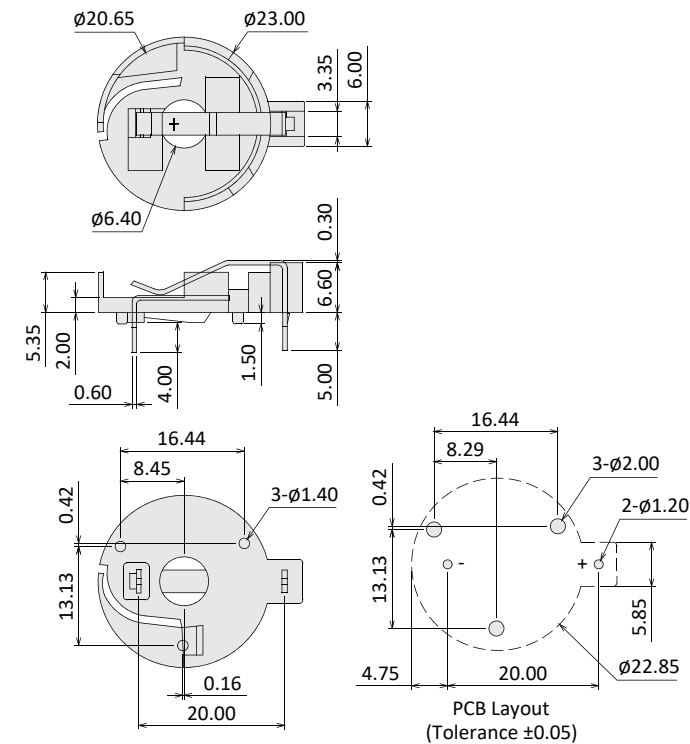
Battery Holder

Dielectric Voltage: 500V AC for one minute
 Insulation Resistance: 1000MΩ Min.
 Contact Resistance: 30mΩ Max.
 Material Contact: Copper Alloy, Tin/Gold/Nickel
 Material Insulator: LCP/Nylon/PBT, UL94V-0
 Operating Temperature: -25°C~+85°C

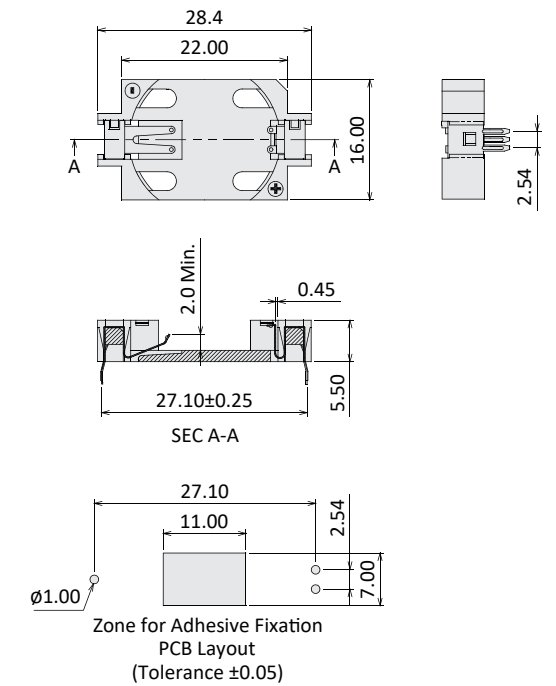


Battery Holder CR 2016 / CR2032

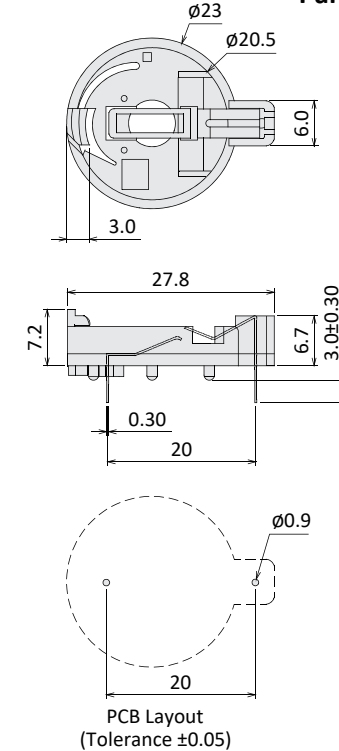
Part No.: BD-2016



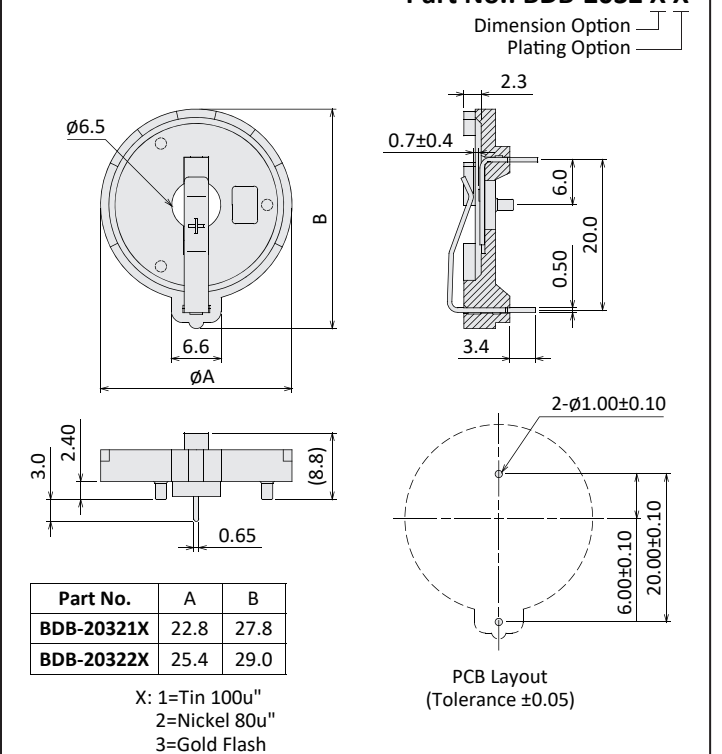
Part No.: BD-2032



Part No.: BDA-2032

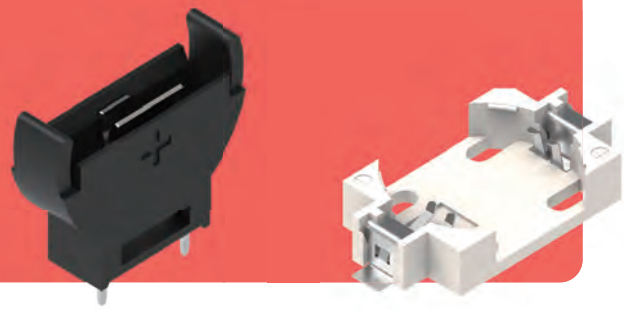


Part No.: BDB-2032 X X



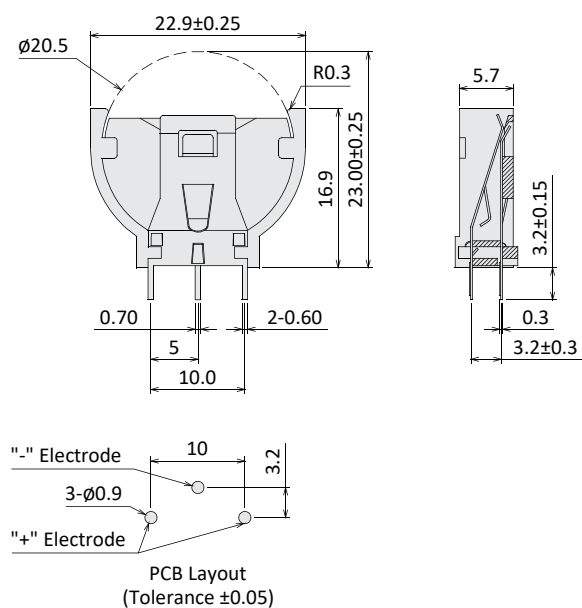
Battery Holder

Dielectric Voltage: 500V AC for one minute
 Insulation Resistance: 1000MΩ Min.
 Contact Resistance: 30mΩ Max.
 Material Contact: Copper Alloy, Tin or Nickel
 Material Insulator: NY66/LCP/ABS/PPS,UL94V-0
 Operating Temperature: -25°C~+85°C

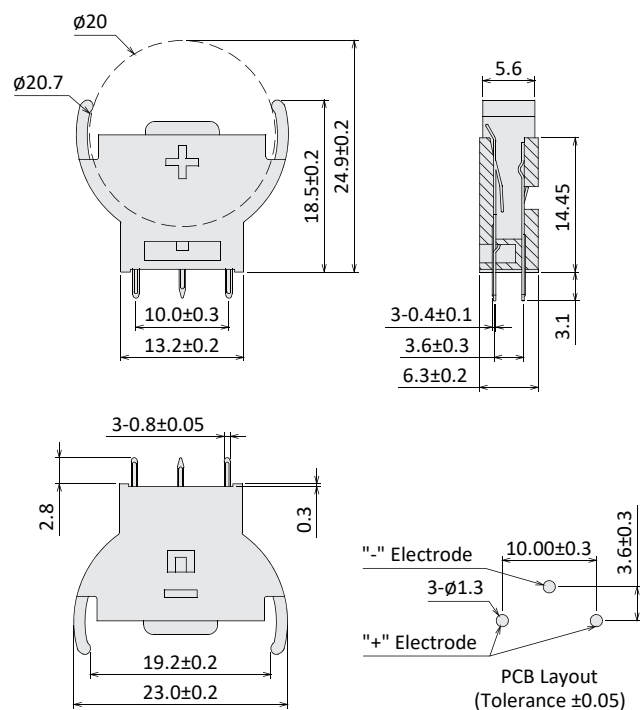


Battery Holder CR2032

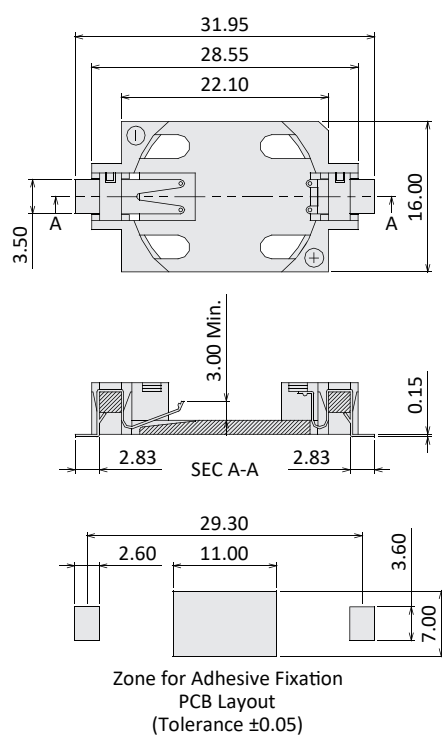
Part No.: BDV-2032



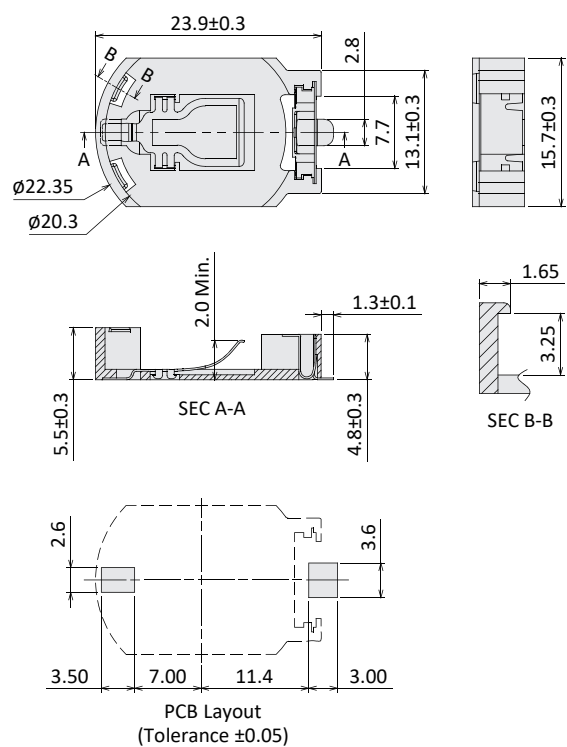
Part No.: BDV-2032A



Part No.: BM-2032

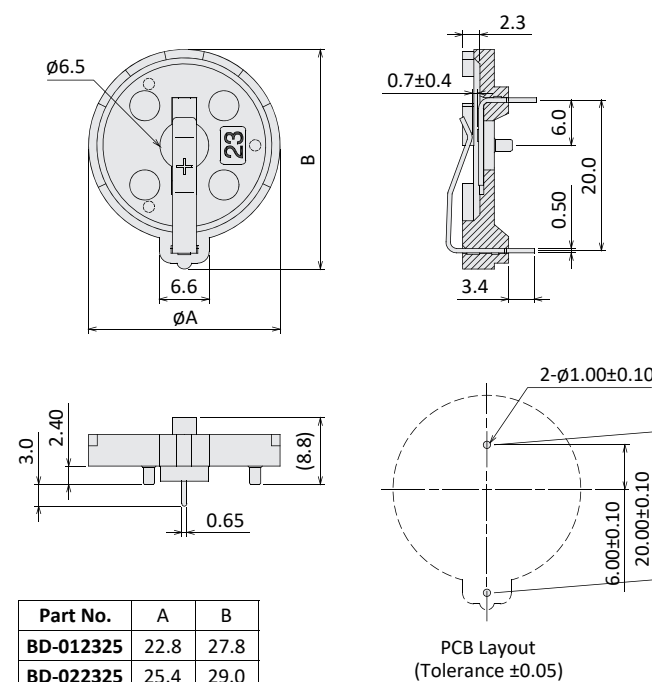


Part No.: BMA-2032

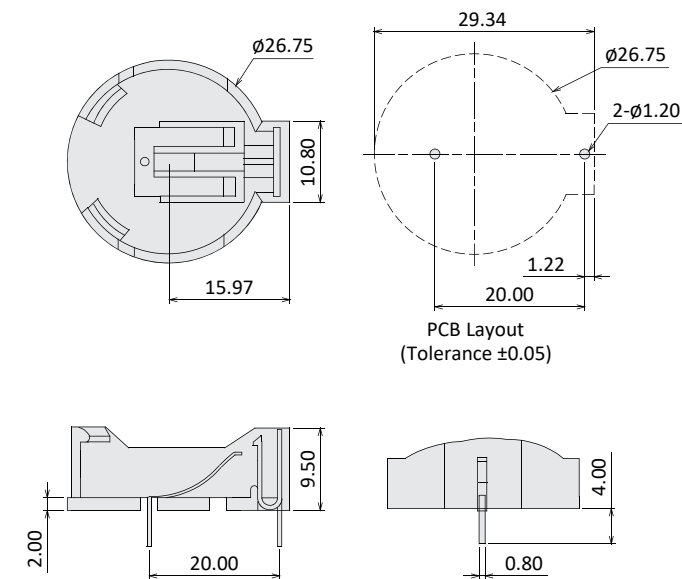


Part No.: BD-XX 2325

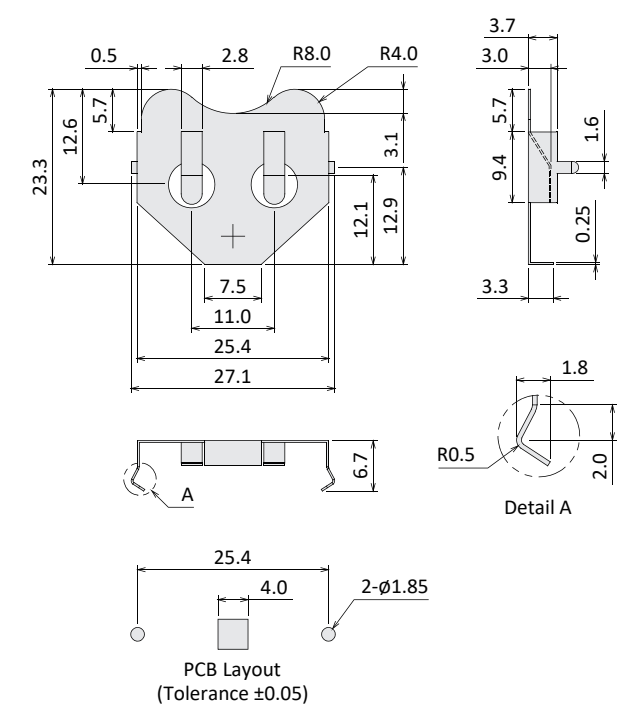
Dimension Option(See Table)



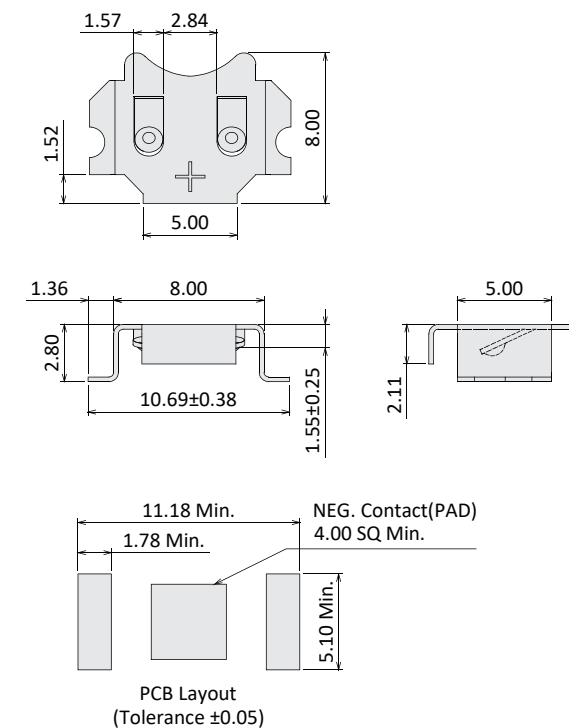
Part No.: BD-2450



Part No.: BC-2430



Part No.: BC-2998



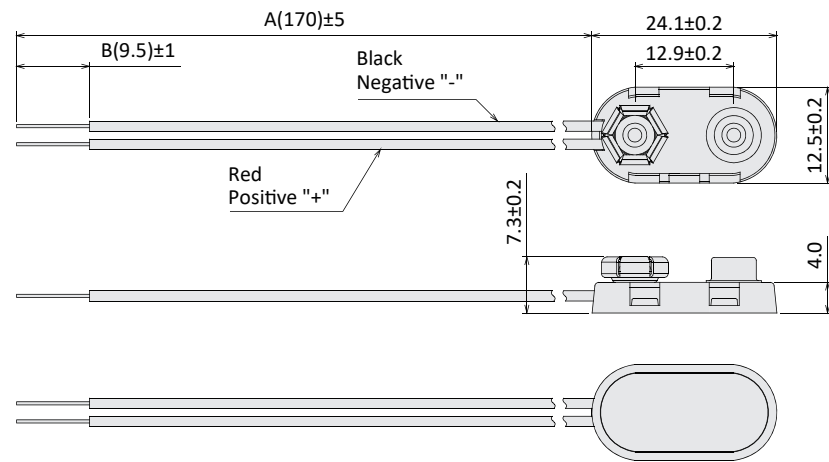
Battery Snap & Battery Connector

Current Rate: 1A / 2A
 Voltage Rate: 125V / 250V AC/DC
 Dielectric Voltage: 1000V AC for one minute
 Insulation Resistance: 1000MΩ Min.
 Contact Resistance: 40mΩ / 30mΩ Max.
 Material Contact: Copper Alloy, Nickel/Gold
 Material Insulator: ABS/NY9T/LCP, UL94V-0
 Operating Temperature: -40°C~+85°C



Battery Holder & Conn.

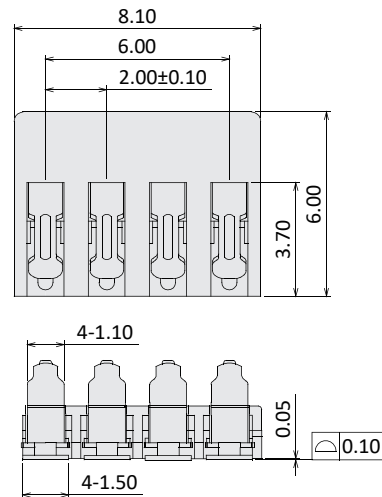
Battery Snap



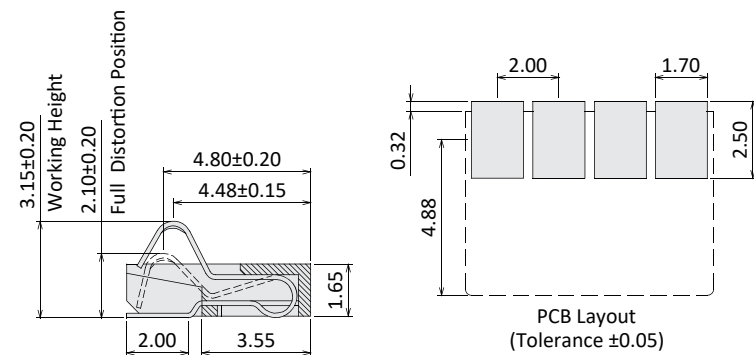
Part No.: BNTD - A/B

Fill in request of Dimension A/B

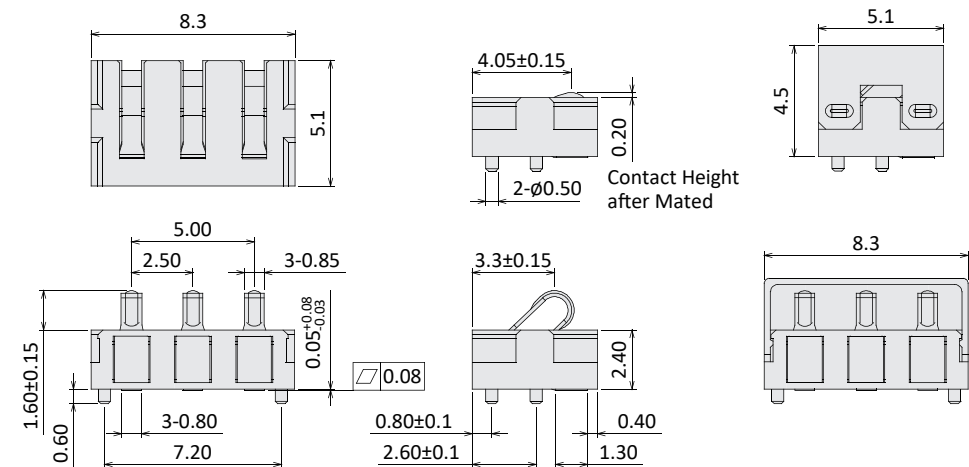
Battery Conn. 2.00mm Pitch



Part No.: BS20165-04R



Battery Conn. 2.50mm Pitch



Part No.: BS25240-03R

